

Digital 3 Phase Voltage Relay



DSP-DVR



DSP-DVR-M

8Pin Socket Installation

DSP-DVR, DVR-M

Main Features

- Easy Installation : 8 Pin Socket
- Operation based on direct line voltage detection
 - Protection : Over/Under voltage, Phase Loss, Reverse Phase, Voltage Unbalance
 - Indication : Voltage[Line/Average], Frequency
 - Time-Voltage operational characteristic → Definite / Inverse
- Rated Line Voltage → 100 ~ 500VAC
- Over/Under Voltage protection within (+), (-) 20% to line voltage
- Possible to preset operation time for over/under voltage each, respectively
- Perfect check for initial line state

a) "dt"(trip delay time) mode is preset "OFF"

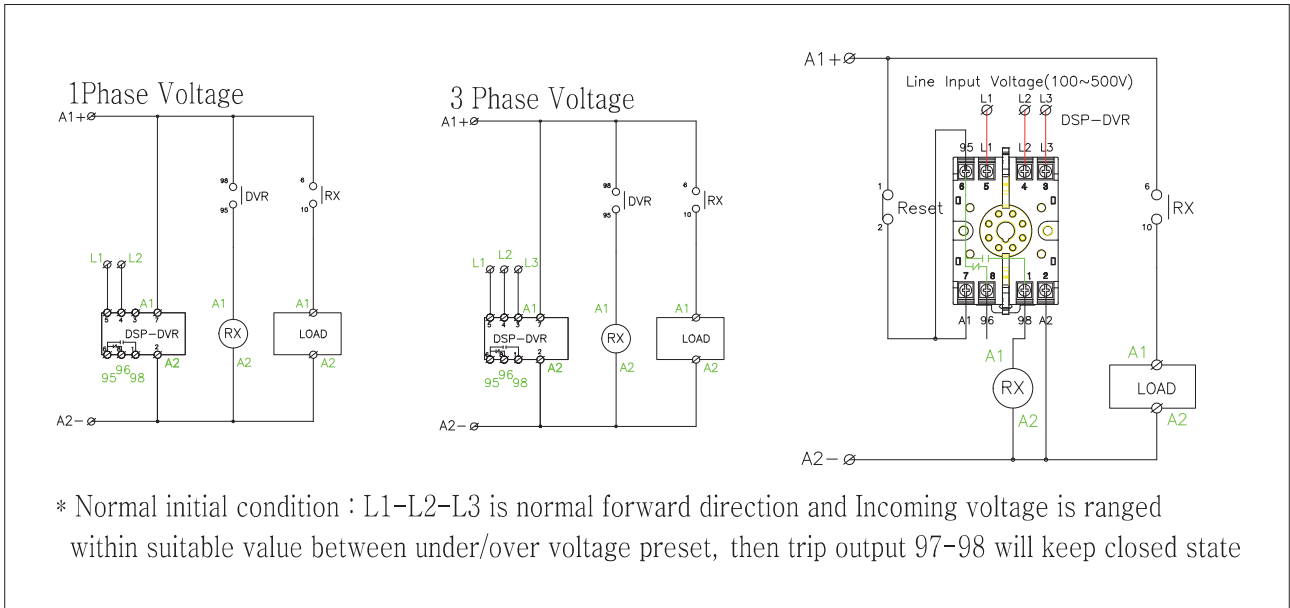
- Preset "a" in "out" mode : Main trip output(95-98) is energized (Open → Close) in case the rated line voltage with normal forward phase state is sensed initially
- Main trip output(95-98) is trip as showing a trip cause if the initial line state is under over/under voltage, reverse phase, voltage unbalance
- v.OFF is shown in case the line voltage is not sensed initially or voltage is dropped to zero(0) while the normal operation is doing
- Preset "b" in "out" mode : Main trip output(95-98) is not energized (Open → Open) in case the rated line voltage with normal forward phase state is sensed initially

b) "dt"(trip delay time) mode is preset a value(time)

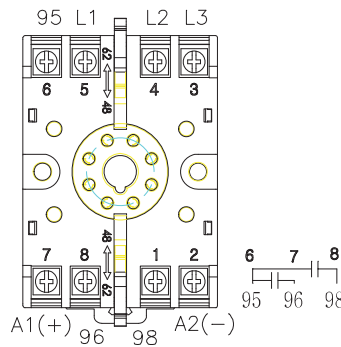
- Preset "a" in "out" mode : Main trip output(95-98) is energized (Open → Close) after "dt" is elapsed in case the rated line voltage with normal forward phase state is sensed initially
- Main trip output(95-98) is still opened(not trip) even after "dt" is elapsed if the initial state is under phase loss, also "PL" is shown
- "rP" is shown as main trip output(97-98) is still opened(not trip) after operational trip time(0.5sec) without concerning with "dt" if reverse state is sensed initially

- Trip cause is shown by characters and/or numbers
 - 4 Digit Window/DVR Type • 5 Digit Window/DVR-M Type
- 3 phase line voltage / average voltage and / or frequency is shown orderly every 3sec
- Alarm history, latest 8 trip events ■ Reset after a trip : auto or manual
- Self-diagnostics to check if this relay is ready to work or not

Application Sequence Diagram



* Note Output trip relay (95-96-98 / 1c,C-R-M(2a) of DSP is rated 3A / resistive,so it is required that aux relay with of sufficient rating to operate a large capacity of contactor should be matched with DSP output,



Order Form

No.	Feature	Description
1	Type	• DSP-DVR : Panel Mounting Type • DSP-DVR-M : Panel Flush Mounting Type
2	Control Power	• B : DC24V • Z7 : 85~260VAC, 50/60Hz (90~370VDC)
3	Socket	• NIL : 8 pin socket is not included • 8P : 8 pin socket is included
e.g.	DSP-DVR-M-8P	Panel Flush Mounting Type, Line voltage/100~500VAC, control power/85~260VAC, 50/60Hz (90~370VDC), 8Pin socket

Samwha DSP Ltd.
DIGITAL STANDARD PROTECTION

69. LS-ro 91 Beon-Gil, Gunpo-Si, Gyeonggi-Do, 15809. Rep of KOREA

• TEL : +82-(0)31-454-3551(Rep) • FAX : +82-(0)31-454-3552

www.samwhadsp.com